




Operating System Practice

Che-Wei Chang

chewei@mail.cgu.edu.tw

Department of Computer Science and Information
Engineering, Chang Gung University

Advanced Operating System Concepts

- Chapter 10: File System
-  ● Chapter 11: Implementing File-Systems
- Chapter 12: Mass-Storage Structure
- Chapter 13: I/O Systems
- Chapter 14: System Protection
- Chapter 15: System Security



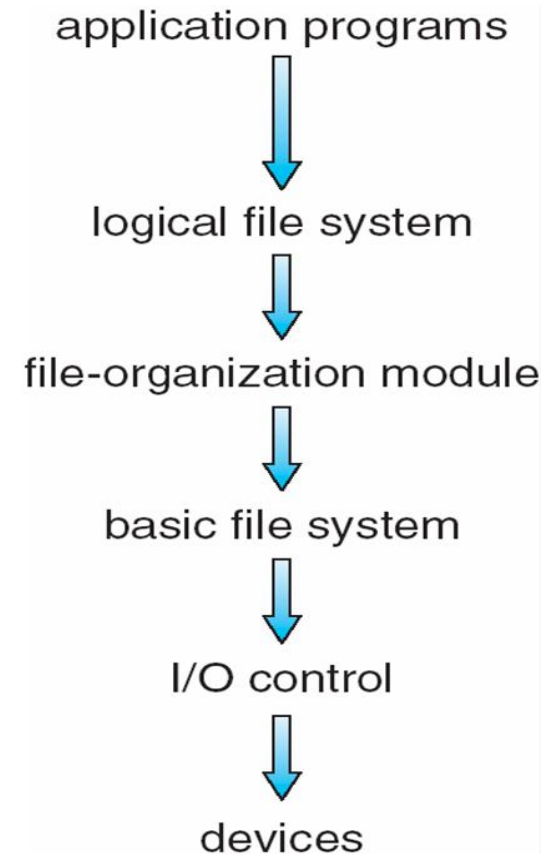
Study Items

- ▶ File-System Structure
- ▶ File-System Implementation
- ▶ Directory Implementation
- ▶ Allocation Methods
- ▶ Free-Space Management
- ▶ Efficiency and Performance
- ▶ Recovery
- ▶ NFS

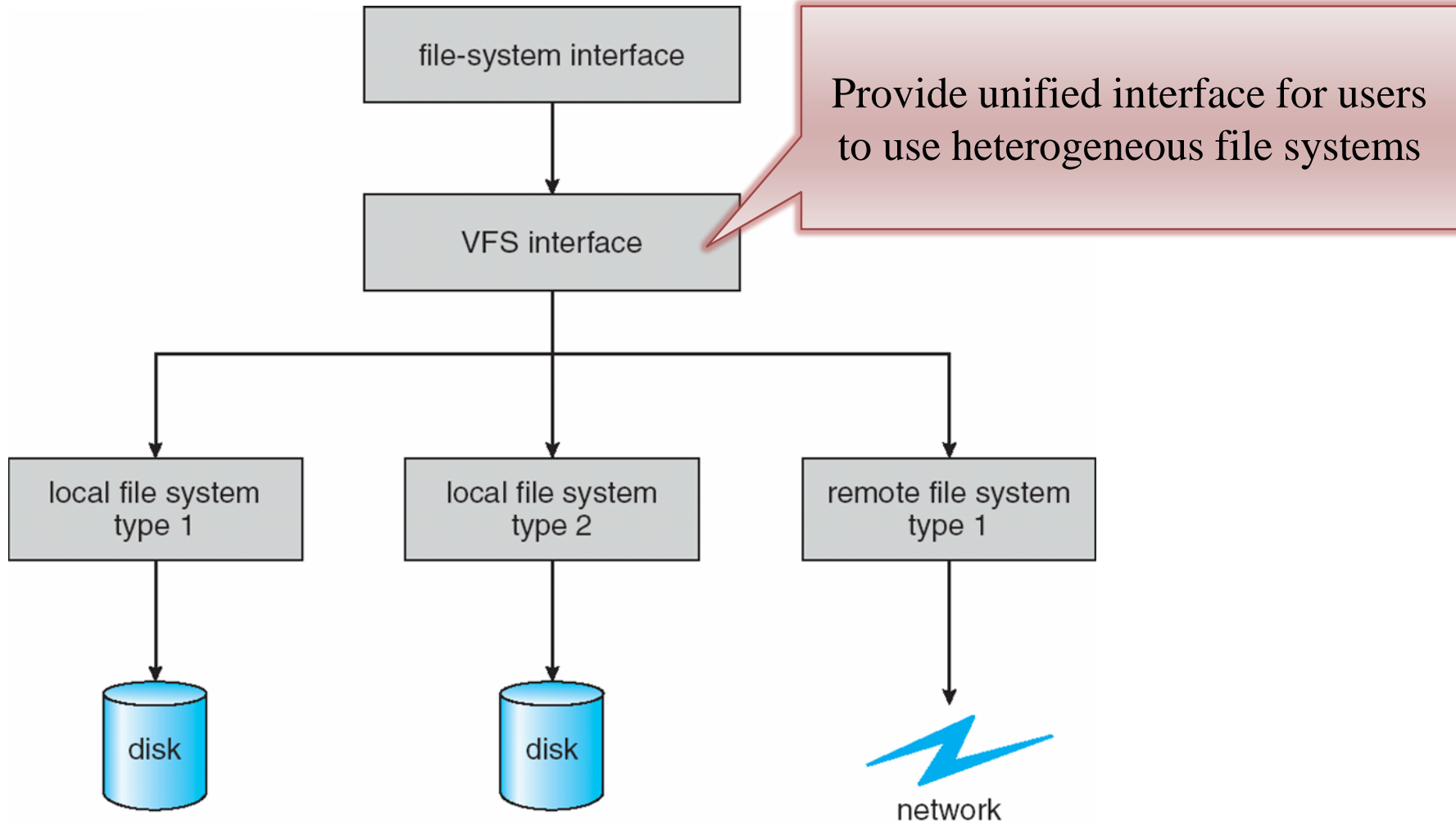


File System Layers

- ▶ **Logical File System:** manage metadata information
 - Translate file name into file number and file handler by maintaining file control blocks
 - Directory management
 - Protection
- ▶ **File-Organization Module:** understand files, logical address, and physical blocks
 - Translate logical block number to physical block number
 - Manage free space, disk allocation
- ▶ **Basic File System:** translate generic commands for device drivers
- ▶ **I/O Control:** translate commands into hardware instructions



Virtual File System



File-System Implementation

- ▶ **Boot control block** contains info needed by system to boot OS from that volume
 - Needed if volume contains OS, usually first block of volume
- ▶ **Volume control block** (superblock, master file table) contains volume details
 - Total number of blocks, number of free blocks, block size, free block pointers or array
- ▶ **Directory structure** organizes the files
 - Names and i-node numbers, master file table
- ▶ Per-file **File Control Block (FCB)** contains many details about the file
 - i-node number, permissions, size, dates
 - NFTS stores into in master file table using relational DB structures



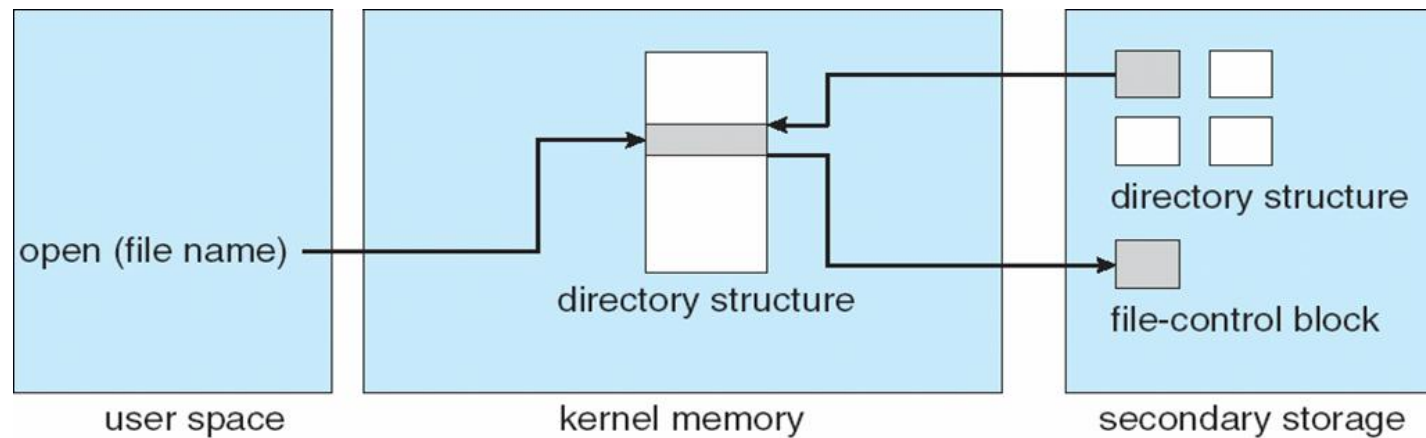
A Typical File Control Block

file permissions
file dates (create, access, write)
file owner, group, ACL
file size
file data blocks or pointers to file data blocks

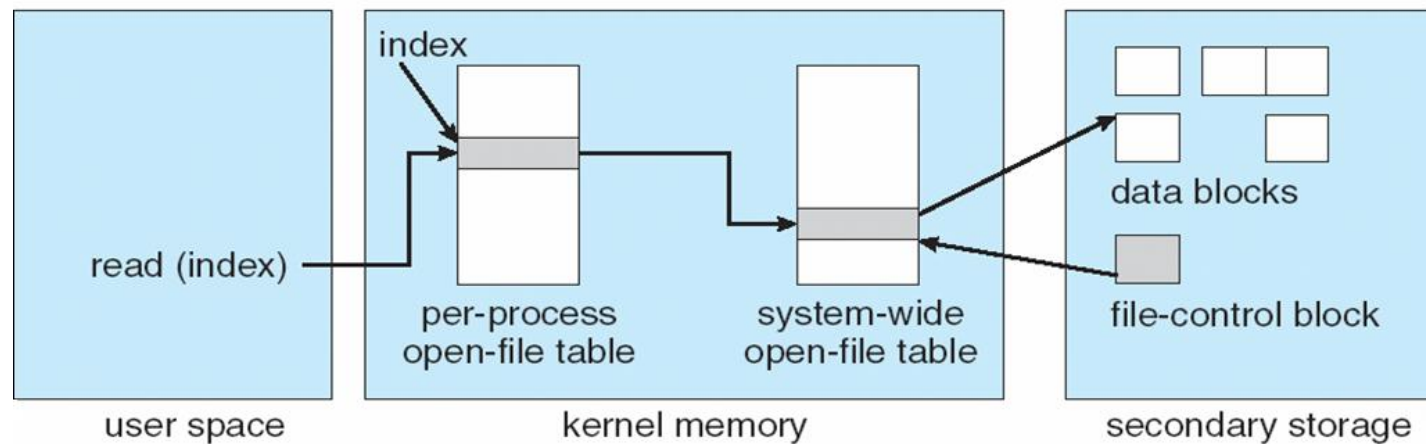
ACL: Access Control List



In-Memory File System Structures



(a)



(b)

Directory Implementation

- ▶ **Linear List:** file names with pointers to the data blocks
 - Simple to program
 - Time-consuming to execute
 - Linear search time
 - Could keep ordered alphabetically via linked list or use tree structure
- ▶ **Hash Table:** linear list with hash data structure
 - Decreases directory search time
 - Collisions – situations where two file names hash to the same location

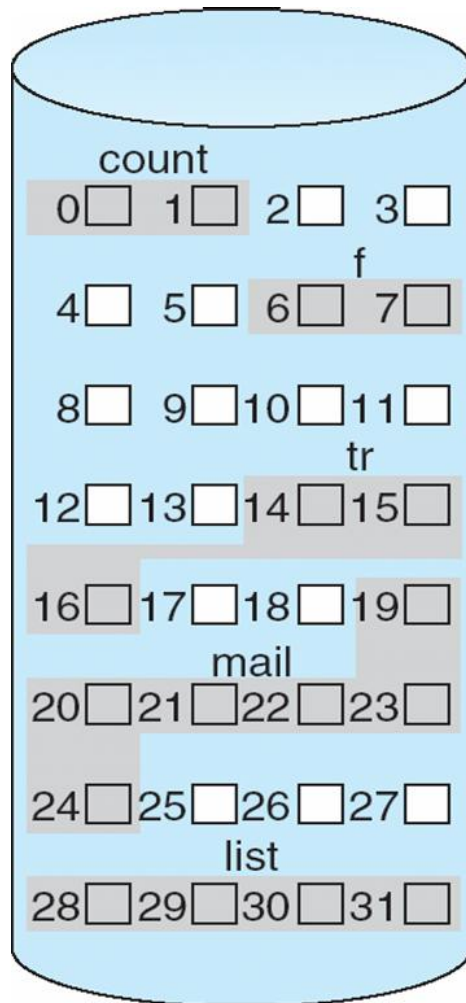


Allocation Methods

- ▶ Contiguous Allocation – each file occupies set of contiguous blocks
- ▶ Linked Allocation – each file a linked list of blocks
- ▶ Indexed Allocation – each file has its own index block(s) of pointers to its data blocks



Contiguous Allocation Scheme



directory

file	start	length
count	0	2
tr	14	3
mail	19	6
list	28	4
f	6	2

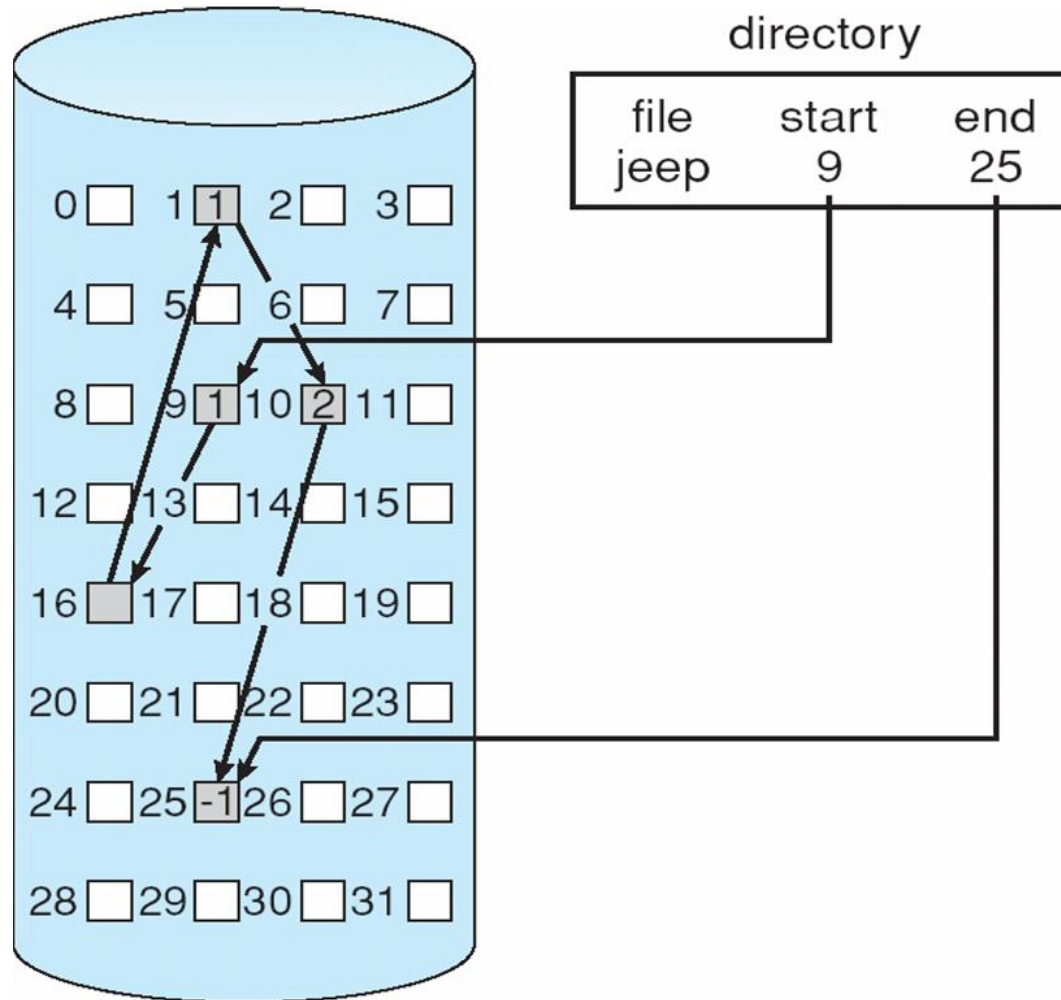


Contiguous Allocation

- ▶ Best performance in most cases
- ▶ Simple – only starting location (block number) and length (number of blocks) are required
- ▶ Problems include finding space for file, knowing file size, external fragmentation, need for compaction
- ▶ Extent-based file systems allocate disk blocks in extents
 - Extents are allocated for extra space of file allocation
 - A file consists of one or more extents



Linked Allocation Scheme



Linked Allocation

▶ Allocation Method

- Each block contains pointer to next block
- Each file ends at a nil pointer
- No external fragmentation
- No compaction
- Free space management system called when new block needed
- Improve efficiency by clustering blocks into groups but increases internal fragmentation
- Reliability can be a problem
- Locating a block can take many I/O operations and disk seeks

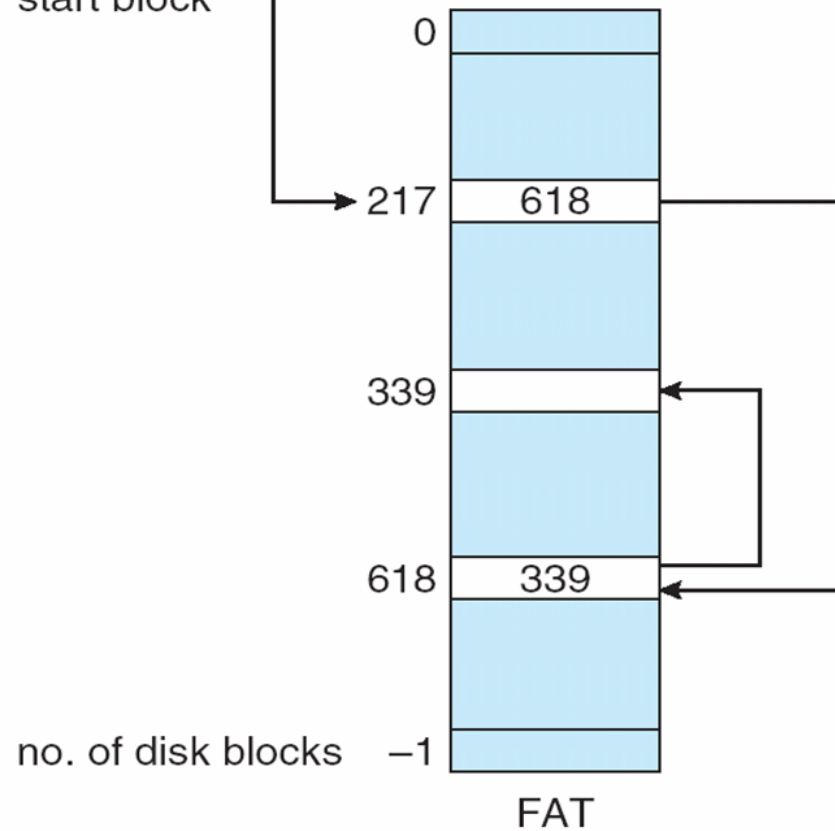
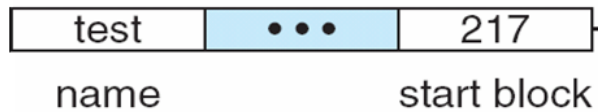
▶ FAT (File Allocation Table) Variation

- Beginning of volume has table, indexed by block number
- Much like a linked list, but faster on disk and cacheable
- New block allocation simple



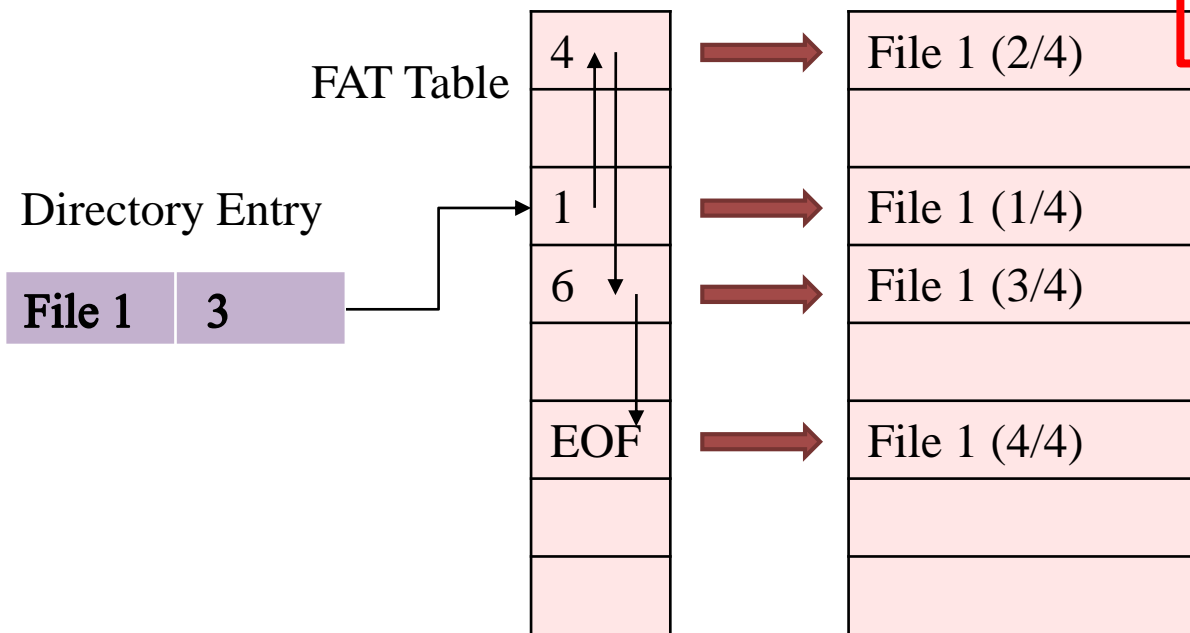
File-Allocation Table (1 / 2)

directory entry

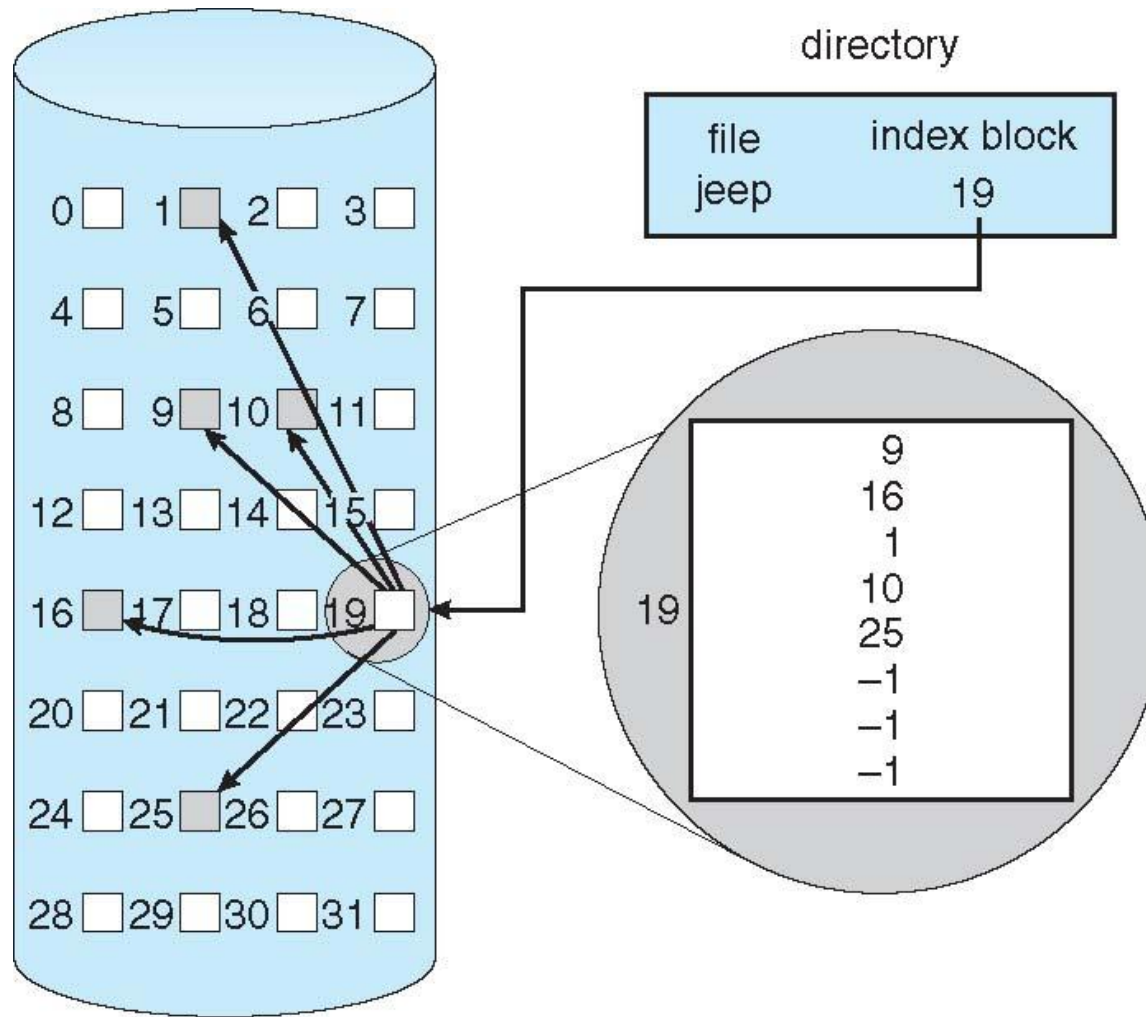


File-Allocation Table (2/2)

- ▶ File Allocation Table (FAT) is a computer architecture
- ▶ There are FAT12, FAT16, FAT32, and



Indexed Allocation Scheme

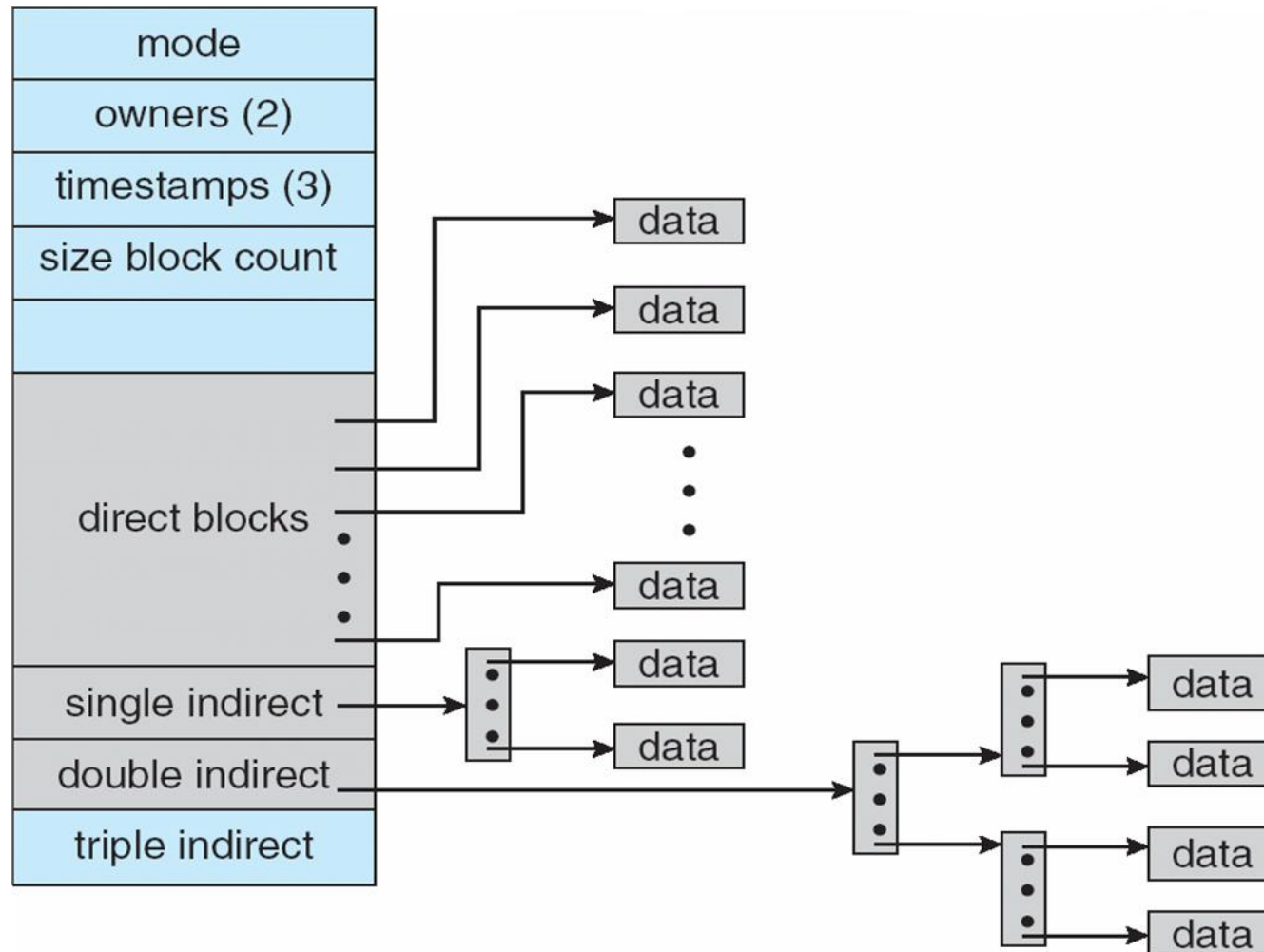


Indexed Allocation

- ▶ Need index table
- ▶ Good at random access
- ▶ Dynamic access without external fragmentation, but have overhead of index block
- ▶ If more than one index block is required
 - Linked scheme
 - Multilevel index
 - Combined scheme



Combined Scheme: UNIX UFS



Free Space Management— Bit Map

- ▶ Bit map requires extra space

- Example:

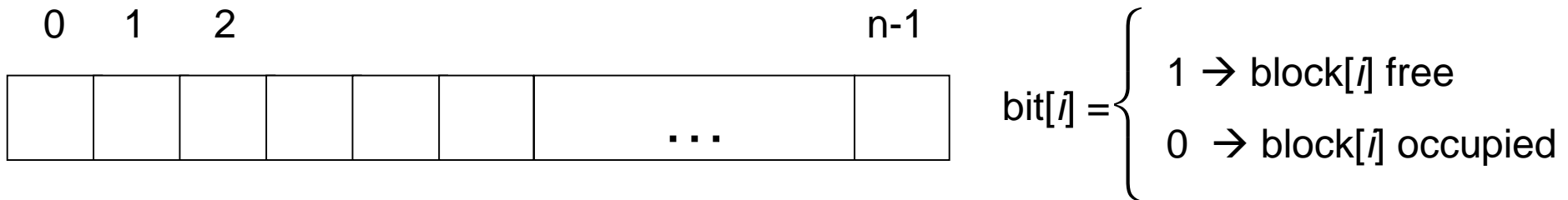
block size = 4KB = 2^{12} bytes

disk size = 2^{40} bytes (1 terabyte)

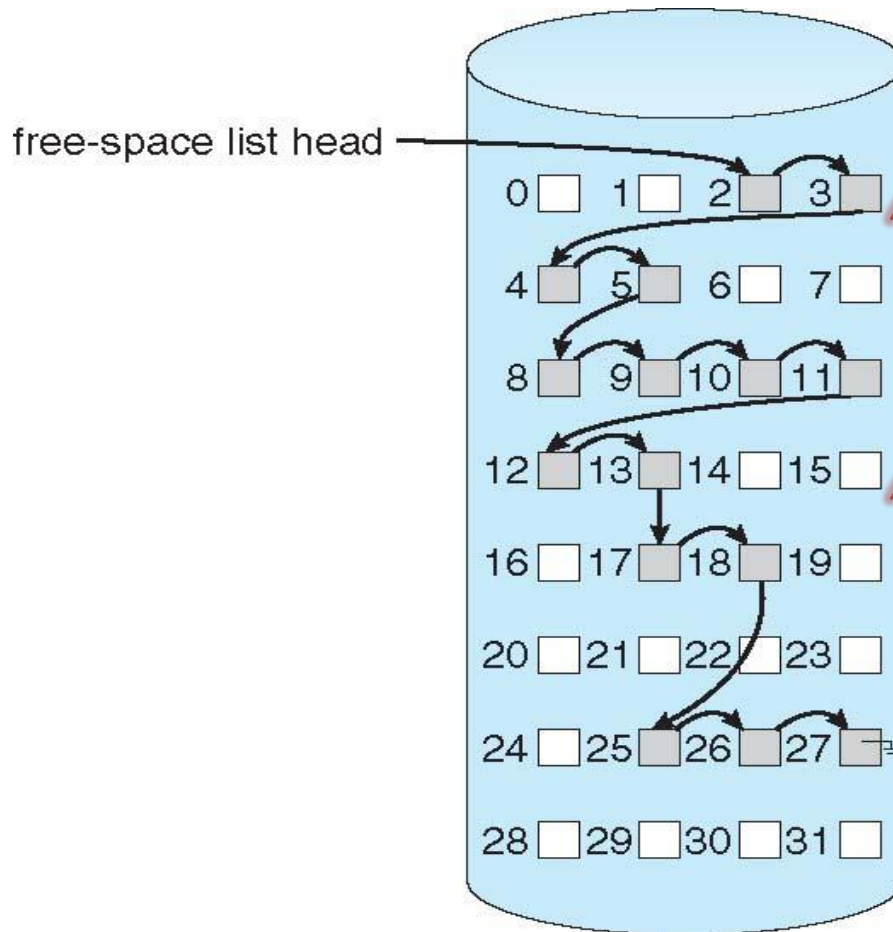
$n = 2^{40}/2^{12} = 2^{28}$ bits (32 MB)

if clusters of 4 blocks -> 8 MB of memory

- ▶ Easy to get contiguous files



Free Space Management— Linked List



Cannot get contiguous space easily

No waste of space

Free Space Management Methods

▶ Grouping

- Modify linked list to store address of next $n-1$ free blocks in first free block, plus a pointer to next block that contains free-block-pointers (like this one)

▶ Counting

- Because space is frequently contiguously used and freed, with contiguous-allocation allocation, extents, or clustering
 - Keep address of first free block and count of following free blocks
 - Free space list then has entries containing addresses and counts



Efficiency and Performance

▶ Efficiency Considerations

- Disk allocation and directory algorithms
- Types of data kept in file's directory entry
- Pre-allocation or as-needed allocation of metadata structures
- Fixed-size or varying-size data structures

▶ Performance Considerations

- Keeping data and metadata close together
- Buffer cache – separate section of main memory for frequently used blocks
- Synchronous writes sometimes requested by apps or needed by OS
 - No buffering / caching – writes must hit disk before acknowledgement
 - Asynchronous writes more common, buffer-able, faster
- Free-behind and read-ahead – techniques to optimize sequential access
- Reads frequently slower than writes (for harddisk)

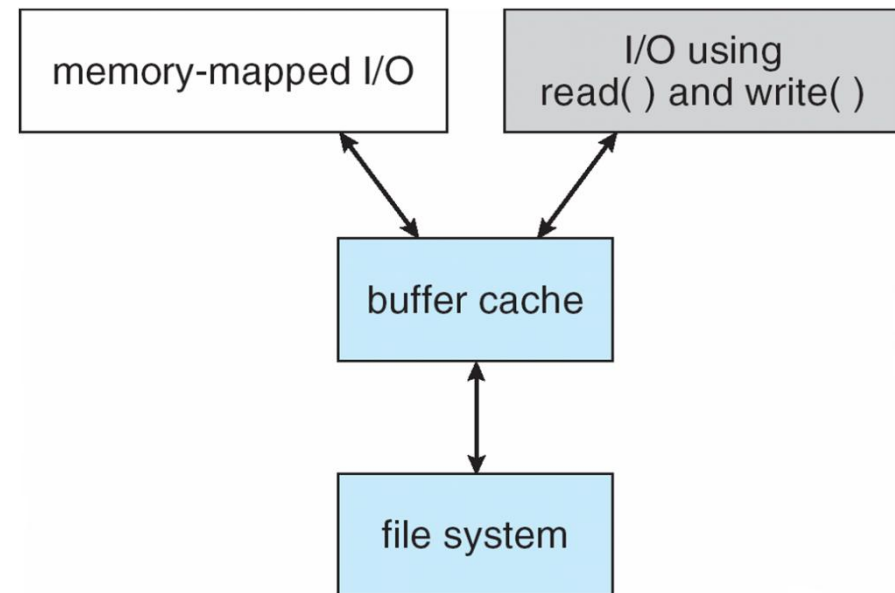
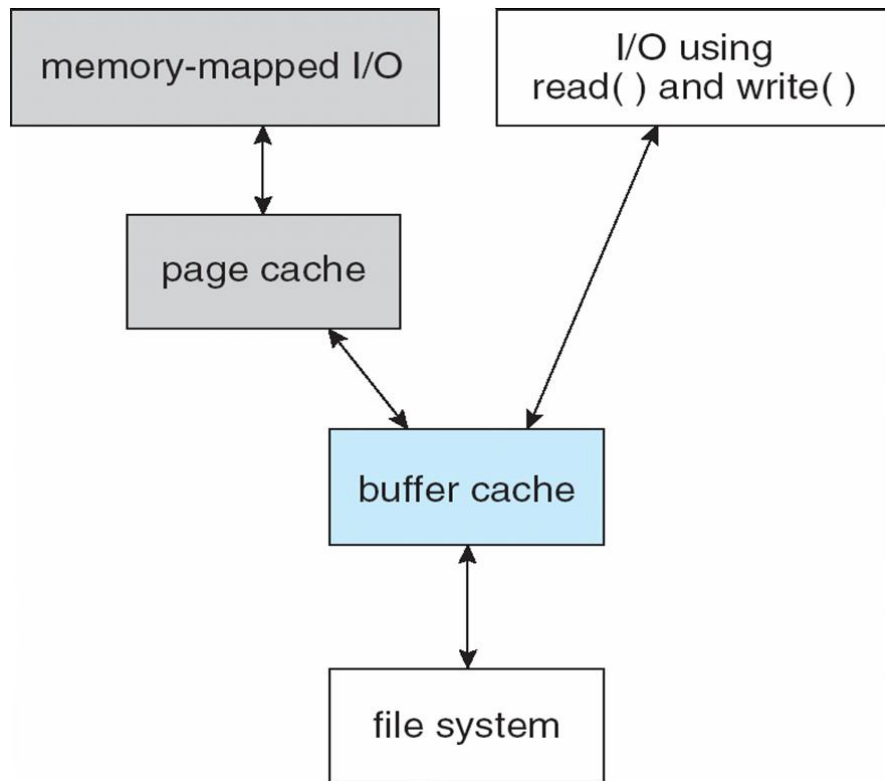


Performance Issue

- ▶ Adding instructions to the execution path to save one disk I/O is reasonable
 - Intel Core i7 Extreme Edition 990x at 3.46Ghz = 159,000 MIPS
 - http://en.wikipedia.org/wiki/Instructions_per_second
 - Typical disk drive at 250 I/O operations per second
 - $159,000 \text{ MIPS} / 250 = 630$ million instructions during one disk I/O
 - Fast SSD drives provide 60,000 IOPS
 - $159,000 \text{ MIPS} / 60,000 = 2.65$ millions instructions during one SSD I/O



I/O With and Without a Unified Buffer Cache

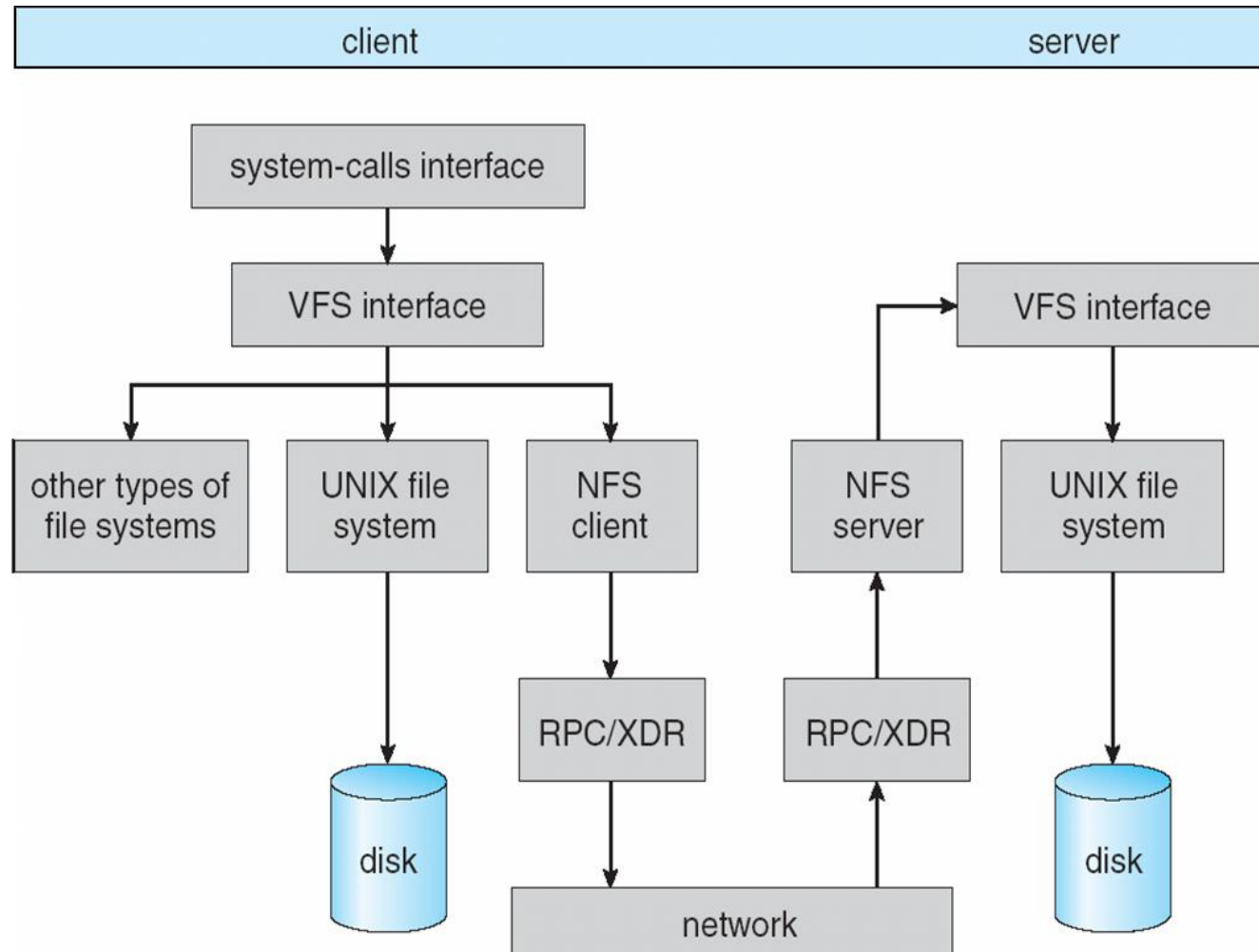


Recovery Issue

- ▶ Consistency checking compares data in directory structure with data blocks on disk and tries to fix inconsistencies
- ▶ System programs have to back up data from disk to another storage device (magnetic tape, other magnetic disk, optical)
- ▶ Log structured (or journaling) file systems record each metadata update to the file system as a transaction
 - If the file system crashes, all remaining transactions in the log must still be performed
 - Faster recovery from crash, removes chance of inconsistency of metadata



Schematic View of NFS



NFS: Network File System

RPC: Remote Procedure Call

XDR: External Data Representation

Three Layers of NFS Architecture

- ▶ UNIX file-system interface (based on the open, read, write, and close calls, and file descriptors)
- ▶ Virtual File System (VFS) layer – distinguishes local files from remote ones, and local files are further distinguished according to their file-system types
 - The VFS activates file-system-specific operations to handle local requests according to their file-system types
 - Calls the NFS protocol procedures for remote requests
- ▶ NFS service layer – bottom layer of the architecture
 - Implements the NFS protocol

